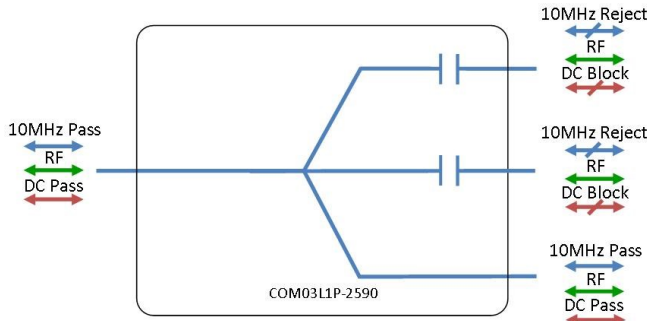


3-Way L-Band Passive Splitter/Combiner

850-2150 MHz



- Port 1 10 MHz & DC Pass
- Ports 2 & 3 10 MHz & DC Block

Available with RF connector options:

- 50 Ω SMA
- 50 Ω N-type
- 50 Ω BNC
- 75 Ω BNC
- 75 Ω F-type.

850-2150 MHz
Operating frequency range. L-Band ready



Compact
Housed in rugged compact enclosure

Flexible Mounting
Tapped screw & through hole mounting options

RF Parameters					
COM03L1P-2590-XXXX	S5S5	N5N5	B5B5	B7B7	F7F7
Frequency Range	850-2150 MHz				
RF Connectors	50Ω SMA	50Ω N-Type	50Ω BNC	75Ω BNC	75Ω F-Type
Mean Insertion Loss (dB)	0.5 ± 0.3	0.5 ± 0.3	0.5 ± 0.3	0.5 ± 0.3	0.5 ± 0.3
Flatness ±(dB)	0.5	0.5	0.5	0.5	0.5
Input Return Loss (dB)	Typ.	20	20	20	20
	Min	14	14	14	14
Output Return Loss (dB)	Typ.	20	20	23	23
	Min	14	14	14	14
Isolation (dB)	Typ.	20	20	20	20
Amplitude Balance (dB)	≤0.5	≤0.5	≤0.5	≤0.5	≤0.5

The given Insertion Loss specified is the loss above the theoretical limit for a lossless divider
 10MHz Insertion Loss is up to 3dB above the theoretical loss*
 10MHz Rejection is 40dB*
 *To ports which are applicable

Broadcast



Marine Oil & Gas



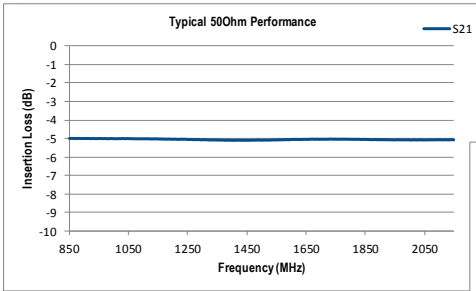
SNG & VSAT



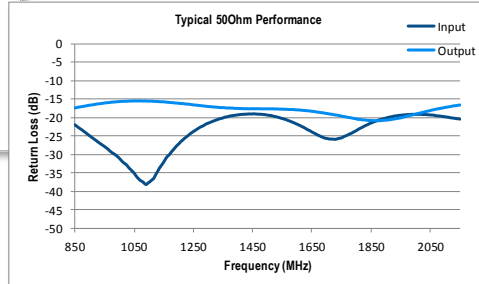
Satellite Teleport



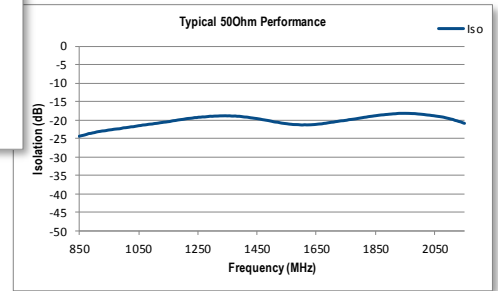
Technical specifications and operating parameters



Insertion Loss



Return Loss



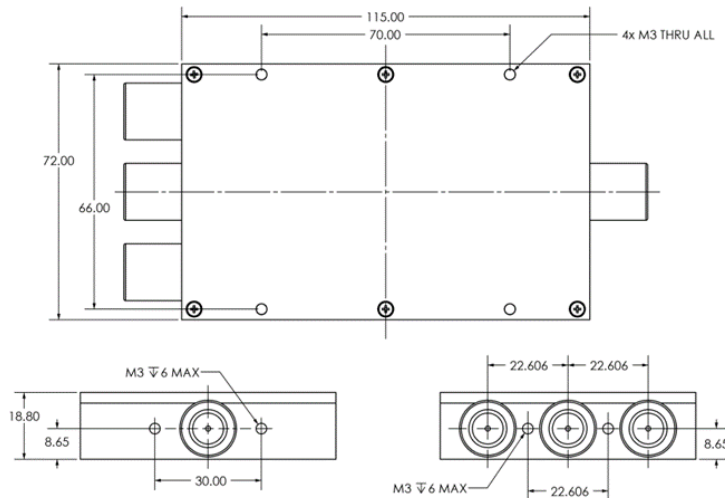
Isolation

Environmental	
Operating Temperature	0°C to +45°C
Storage Temperature	-20°C to +75°C
Location	Indoor use Only
Humidity	Max 85% non-condensing
Altitude	Max 10,000 feet

Max Operating Parameters	
Input RF Power	+37dBm (5W as splitter) +27 dBm (500mW as combiner)
DC Voltage	35V on any RF port
DC Current	500mA
DC Consumption	N/A

! Operation beyond these limits may cause instantaneous and permanent damage.

Physical Dimensions (mm)



Note: The specification is subject to regular reviews and will be updated from time to time as part of our continuing product development and improved specification accuracy.